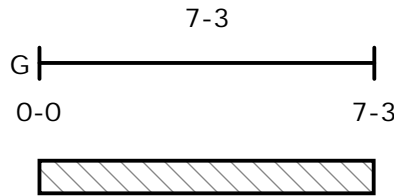


JOB NUMBER : ##### CONTRACT NO : ## - ## LIST NO : 0007 DATE : 02/07/10
 JOB NAME : NAME BY : BMGA SPRINKLERS
 LOCATION : AREA : AREA OF THE BUILDING
 SPEC. INST. : ----- /

MAIN I.D.	QUAN.	PIPE DESCRIPTION	LENGTH	EP	COLOR
A.1	1	2 ½ DOM BLK SCH 10	7'-3"	GG	RED

ARROW: --->

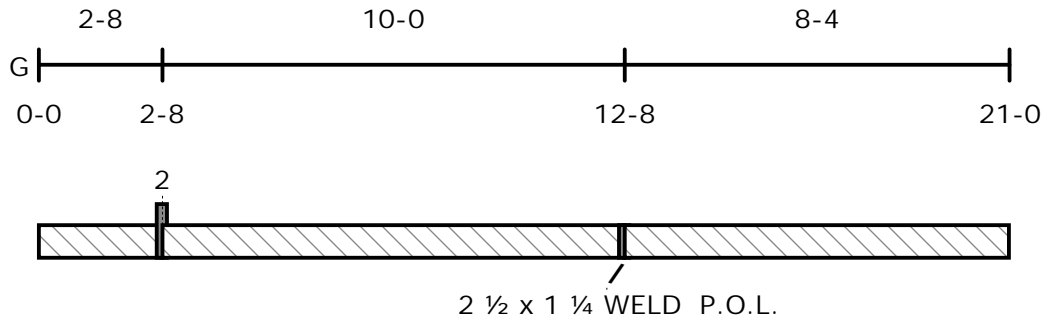


STANDARD OUTLET: NONE

TOTAL NUMBER OF WELDS: 0

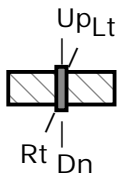
MAIN I.D.	QUAN.	PIPE DESCRIPTION	LENGTH	EP	COLOR
A.2	1	2 ½ DOM BLK SCH 10	21'-0"	GG	RED

ARROW: --->



STANDARD OUTLET: WELD G.O.L.

TOTAL NUMBER OF WELDS: 2



KEY TO FITTING LOCATIONS